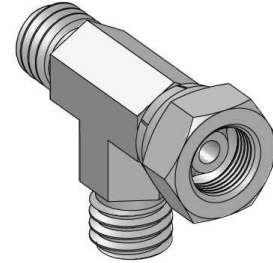
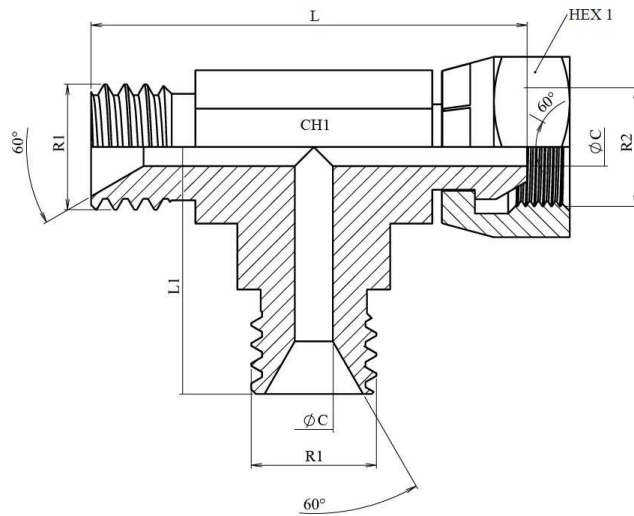


**Barrel tee BSP Male-male-swivel female (60°)
forge**

Carbon steel



Part nº	R1	R2	R3	L	L1	HEX 1	CH1	ØC
S122302	1/8" BSP	1/8" BSP	1/8" BSP	44,2	23	14	13,5	5
S122304	1/4" BSP	1/4" BSP	1/4" BSP	46	26	19	14	4
S122306	3/8" BSP	3/8" BSP	3/8" BSP	60	30	22	17	7
S122308	1/2" BSP	1/2" BSP	1/2" BSP	70	35	27	22	9,5
S122312	3/4" BSP	3/4" BSP	3/4" BSP	86	42	32	27	15
S122316	1" BSP	1" BSP	1" BSP	96	47	41	36	19
S122320	1"1/4 BSP	1"1/4 BSP	1"1/4 BSP	106	52	50	46	26
S122324	1" 1/2 BSP	1" 1/2 BSP	1" 1/2 BSP	118	60	55	50	32
S122332	2" BSP	2" BSP	2" BSP	130	69	70	63	46